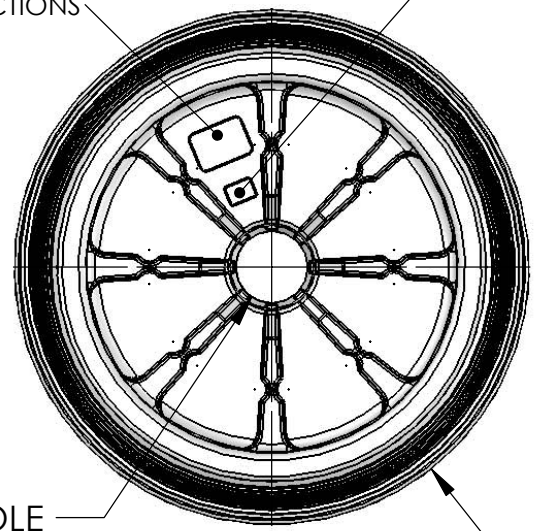


REVISIONS

REV.			

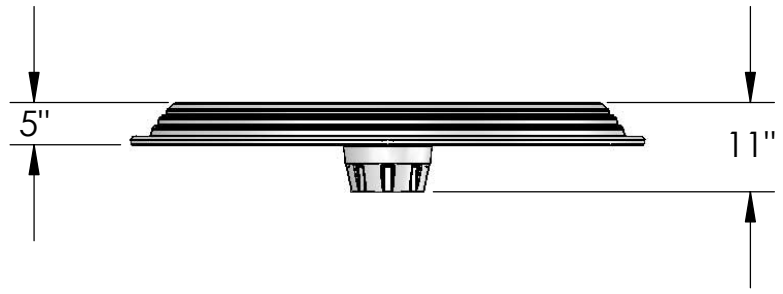
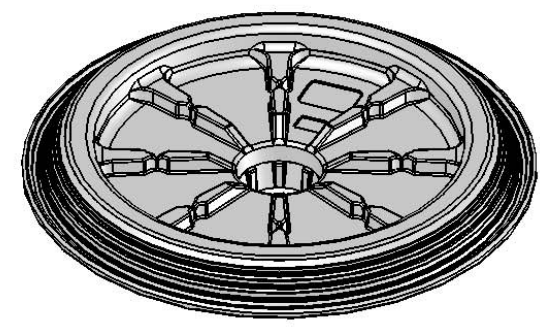
INSTALLATION INSTRUCTIONS

LOGO / PART NUMBER



∅ 9" DRAINAGE HOLE

∅ 65"



TITLE:

UNLESS OTHERWISE SPECIFIED: DIMENSIONS ARE IN INCHES	MATERIAL	HMWPE	Silt-Saver® Inc. 1094 Culpepper Drive Conyers, GA 30094 USA Telephone: (770) 388-7818 Toll Free: (888) 382 -SILT (7458)	NAME	DATE	SIZE	DWG. NO.	REV
	FINISH	BLACK		DRAWN	TWS			
					ENG APPR.		A	