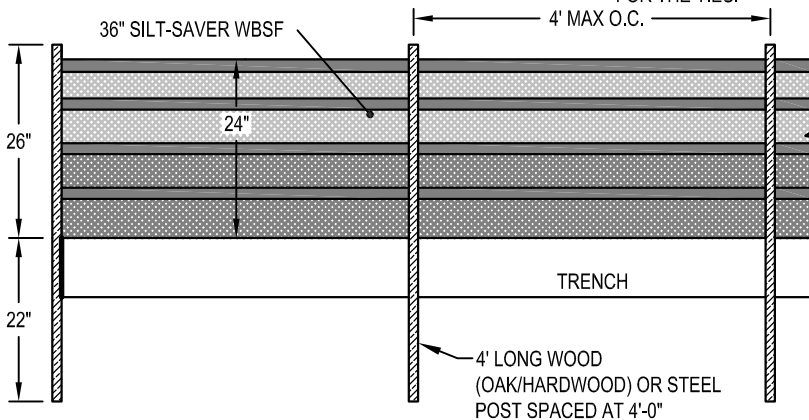


SIDE VIEW

USE STEEL POSTS THAT MEET THE STATE STANDARDS AND SPECIFICATION FOR THE STATE THAT THE SILT FENCE WILL BE INSTALLED.

POST SPACING MAY VARY BY STATE DEPENDING ON THE STATE MAX O.C. SPECIFICATION.

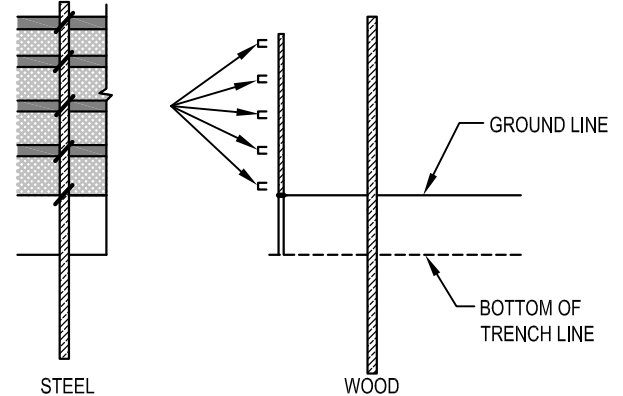
USE WOVEN-IN BELTS AS ATTACHMENT POINTS FOR THE TIES.



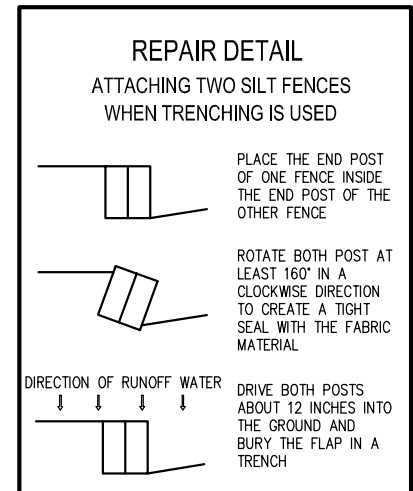
FRONT ELEVATION

MINIMUM OF 8" BLACK UV 120 LBS. ZIP TIES FOR STEEL
1" X 1 1/4" STAPLES FOR WOOD

TO BE PLACED AT EACH SUPPORT BELT. (4 BELTS TOTAL) BOTTOM STAPLE OR WIRE TIE IS AT GROUND LEVEL.



USE OAK/HARDWOOD POST 1 3/4 x 1 1/4 x 48" OR EQUAL DENSITY OR STATE STANDARDS, WHICH EVER IS GREATER.



REPAIR DETAIL ATTACHING TWO SILT FENCES WHEN TRENCHING IS USED

PLACE THE END POST OF ONE FENCE INSIDE THE END POST OF THE OTHER FENCE

ROTATE BOTH POST AT LEAST 160° IN A CLOCKWISE DIRECTION TO CREATE A TIGHT SEAL WITH THE FABRIC MATERIAL

DIRECTION OF RUNOFF WATER

DRIVE BOTH POSTS ABOUT 12 INCHES INTO THE GROUND AND BURY THE FLAP IN A TRENCH

PLAN VIEW

HEAVY DUTY WOVEN BELTED (WBSF) WBSF2S-4 SILT FENCE 2 STAGE

FRAME MATERIAL: OAK/HARDWOOD OR STEEL

FILTER FABRIC MATERIAL: REFER TO SPEC

SCALE: NOT TO SCALE

LAST UPDATED: 10-30-2019