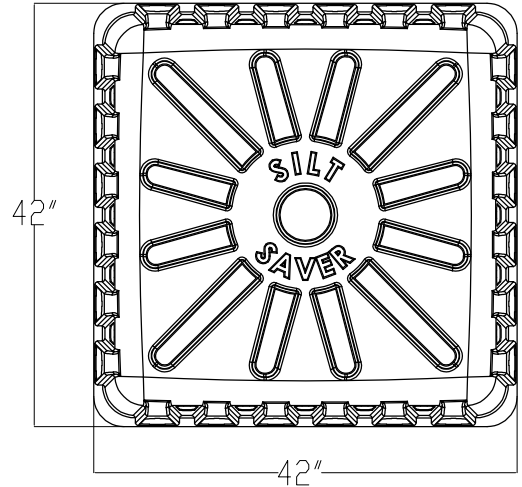


ELEVATION VIEW



PLAN VIEW

FILTER OPTION

FILTER IS AVAILABLE IN ONE OPTION:

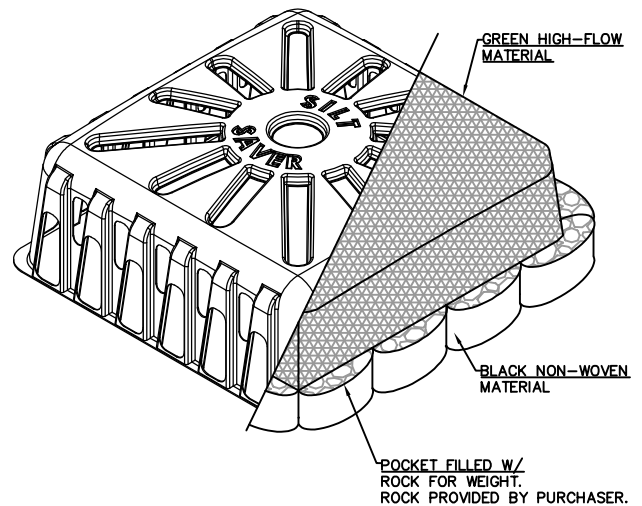
- 1) HIGH-FLOW MATERIAL ON TOP, HIGH-EFFICIENCY MATERIAL ON ROCK BAGS (FOR NON-SUMP CONDITIONS.)

FILTER INSTALLATION

FILTER SHOULD BE PLACED OVER FRAME. POCKETS ON THE EDGES OF THE FILTER SHOULD BE FILLED WITH ROCK. INSTALLER SHALL PROVIDE ROCK FOR FILTER POCKETS.

MAINTENANCE

ALL TEMPORARY EROSION, SEDIMENTATION, & POLLUTION CONTROL PRACTICES SHOULD BE INSPECTED DAILY. CONTRACTOR SHALL REMOVE SEDIMENT AND DISPOSE OF IN A PROPER MANNER. INSPECT FRAME AND FILTER DAILY FOR CUTS, ABRASIONS AND PROPER INSTALLATION. REPLACE OR REPOSITION AS NECESSARY.



ISOMETRIC VIEW

REPLACEMENT FILTER: MODEL # LPS 640 HF

LOW PROFILE SQUARE FRAME & FILTER ASSEMBLY

42"X42"X16"  
MODEL # LPS 600A

FRAME MATERIAL: BLACK PE

FILTER FABRIC MATERIAL: REFER TO SPEC

SCALE: NOT TO SCALE

LAST UPDATED: MARCH 2021