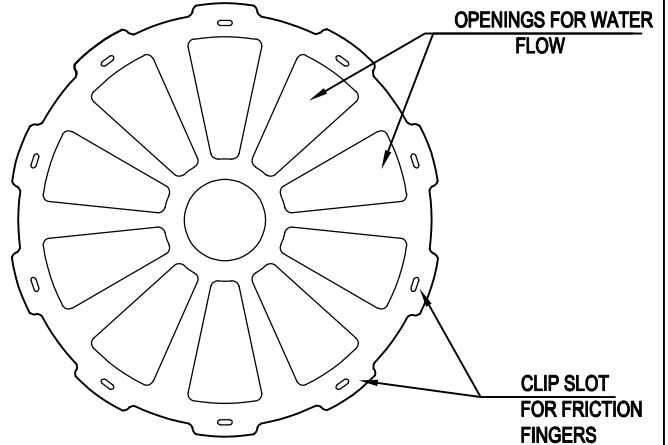


SNAPPABLE FRICTION FINGERS
(FITS INSIDE PIPE OPENING TO HOLD IN PLACE)

SIDE VIEW



TOP VIEW

FILTER OPTIONS

FILTER IS AVAILABLE IN TWO OPTIONS:

- 1) PSF HF (HIGH-FLOW FILTER)
- 2) PSF DOT (HIGH-FLOW MATERIAL ON TOP $\frac{2}{3}$, HIGH-EFFICIENCY MATERIAL ON BOTTOM $\frac{1}{3}$)

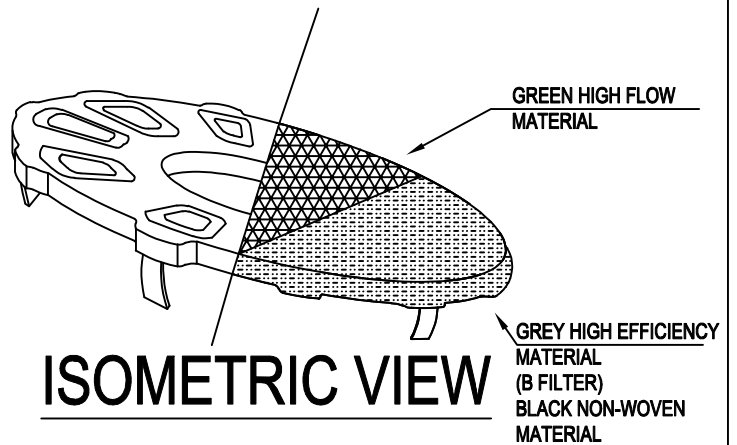
IT IS THE PURCHASERS RESPONSIBILITY TO PURCHASE APPROPRIATE FILTER.

INSTALLATION

FILTER SLIDES DIRECTLY OVER FRAME. SLIDE FRICTION FINGERS INTO OPENING OF PIPE (INLET). FRICTION FINGERS FIT INSIDE INLET PIPE PROVIDING A SNUG FIT TO KEEP FILTER FRAME IN PLACE OVER STORM STRUCTURE.

MAINTENANCE

ALL TEMPORARY EROSION, SEDIMENTATION, & POLLUTION CONTROL PRACTICES SHOULD BE INSPECTED DAILY. CONTRACTOR SHALL REMOVE SEDIMENT AND DISPOSE OF IN A PROPER MANNER. INSPECT FRAME AND FILTER DAILY FOR CUTS, ABRASIONS, AND PROPER INSTALLATION. REPLACE OR REPOSITION AS NECESSARY.



ISOMETRIC VIEW

STOCK SIZES: 12", 15", 18", 24", 30", 36"

PIPE STOPPER

Model # PSA

FRAME MATERIAL: BLACK HDPE
FILTER FABRIC MATERIAL: REFER TO SPEC
SCALE: NOT TO SCALE
LAST UPDATED: 9-22-2021