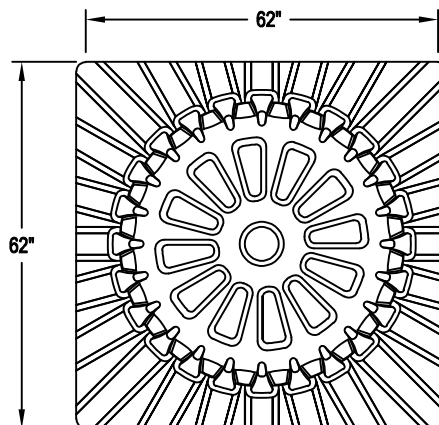


ELEVATION VIEW



PLAN VIEW

FILTER OPTIONS FOR ASSEMBLIES:

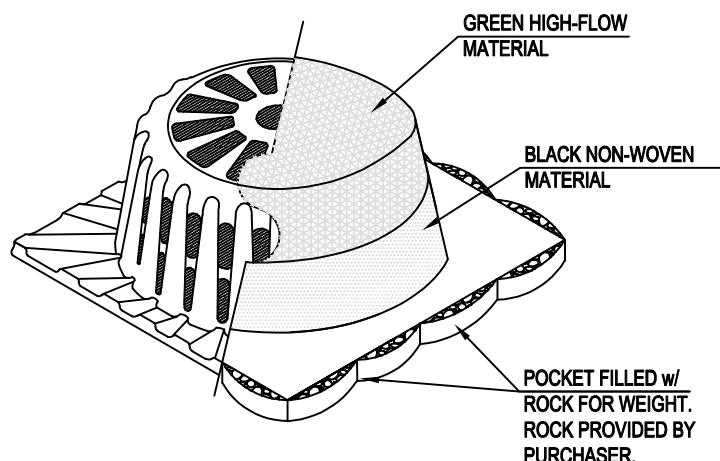
S400B-DOT:(DOT FILTER) GREEN HIGH FLOW MATERIAL ALLOWS FOR STORM WATER OVERFLOW AT THE TOP OF THE FILTER WHILE THE BLACK HIGH EFFICIENCY SEDIMENT FILTRATION FABRIC COVERS THE BOTTOM HALF OF THE FILTER EXTENDING TO THE ROCK BAG PLATFORM. IT IS THE PURCHASERS RESPONSIBILITY TO SELECT APPROPRIATE FILTER.

FILTER INSTALLATION

FILTER SHOULD BE PLACED OVER FRAME. POCKETS ON THE EDGES OF THE FILTER SHOULD BE FILLED WITH ROCK. INSTALLER SHALL PROVIDE ROCK FOR FILTER POCKETS.

MAINTENANCE

ALL TEMPORARY EROSION, SEDIMENTATION, & POLLUTION CONTROL PRACTICES SHOULD BE INSPECTED DAILY. CONTRACTOR SHALL REMOVE SEDIMENT AND DISPOSE OF IN A PROPER MANNER. INSPECT FRAME AND FILTER DAILY FOR CUTS, ABRASIONS, AND PROPER INSTALLATION. REPLACE OR REPOSITION AS NECESSARY.



**ISOMETRIC ASSEMBLY VIEW
OF S400B-DOT**

REPLACEMENT FILTERS: MODEL # S-440B DOT OR S-140HF

(MEETS SPECIFIC REQUIREMENTS OF MARYLAND AND VIRGINIA DOT)

SQUARE BASE FRAME & 2 STAGE SPECIALTY DOT FILTER

ASSEMBLY

62"X62"

Model # S-400B

FRAME MATERIAL: HMWPE

FILTER FABRIC MATERIAL: REFER TO SPEC

SCALE: NOT TO SCALE

LAST UPDATED: FEBRUARY 2022