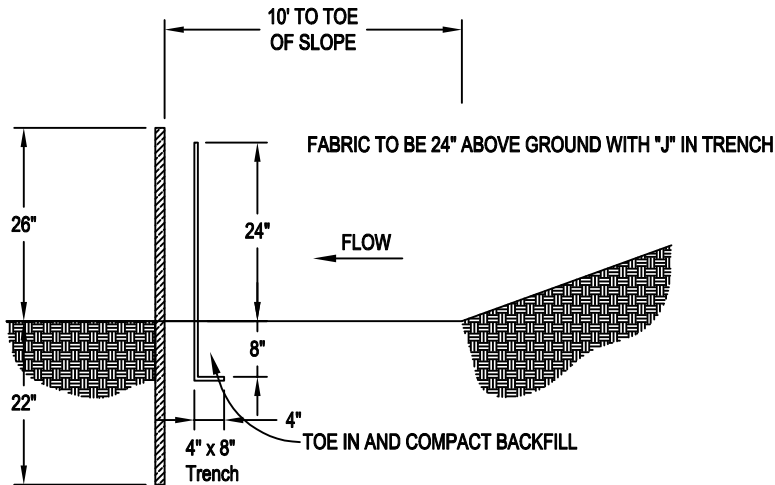
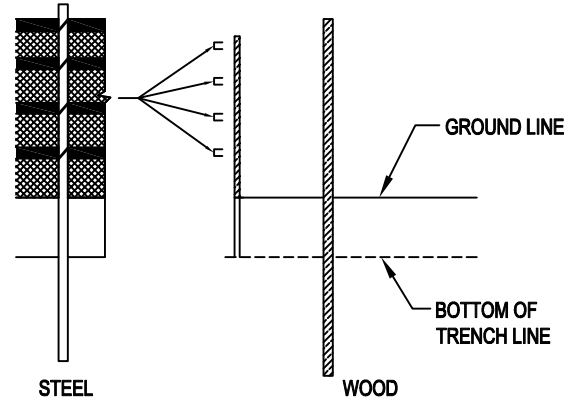




MINIMUM OF 8" BLACK UV 120 LBS. ZIP TIES FOR STEEL
1" X 1 1/4" STAPLES FOR WOOD
TO BE PLACED AT EACH SUPPORT BELT.



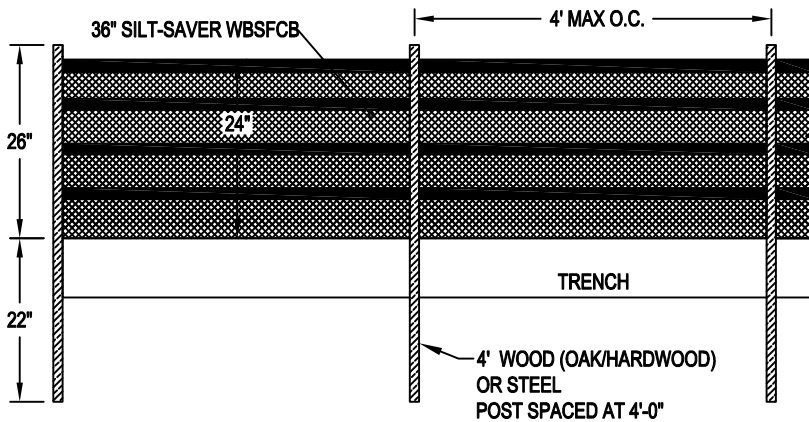
SIDE VIEW



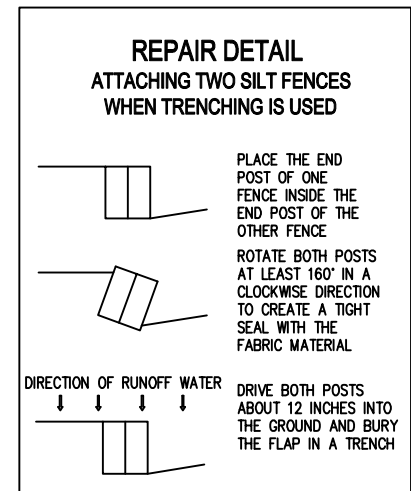
USE STEEL POSTS THAT MEET STATE STANDARDS & SPECIFICATIONS FOR THE STATE THAT THE SILT FENCE WILL BE INSTALLED.

USE OAK/HARDWOOD POST 1 3/4 x 1 1/4 x 48" OR EQUAL DENSITY OR STATE STANDARDS, WHICH EVER IS GREATER.

USE WOVEN-IN BELTS AS ATTACHMENT POINTS FOR THE TIES.



FRONT ELEVATION



PLAN VIEW

WOVEN BELTED SILT FENCE (WBSF) 2 STAGE COMBO (2CB) WBSF2CB-4

FRAME MATERIAL: OAK/HARDWOOD OR STEEL

FILTER FABRIC MATERIAL: REFER TO SPEC

SCALE: NOT TO SCALE

LAST UPDATED: MARCH 2022