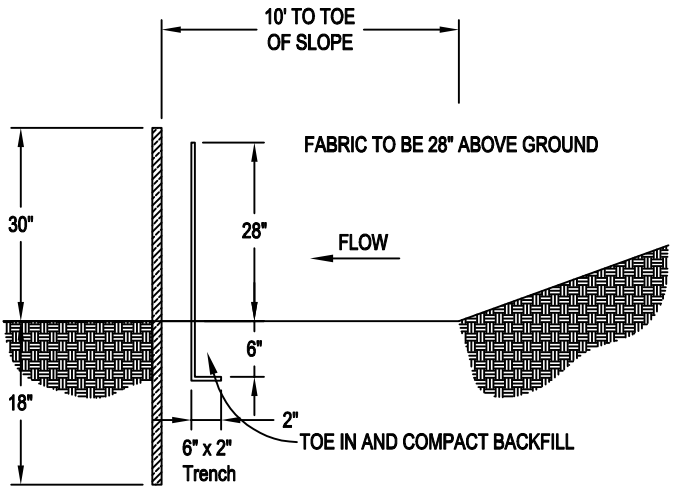
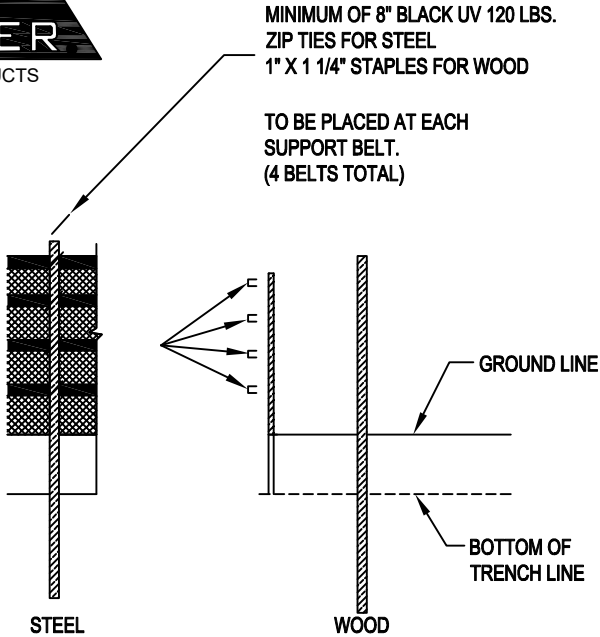


2S-4

WBSF2S-4  
G DOT

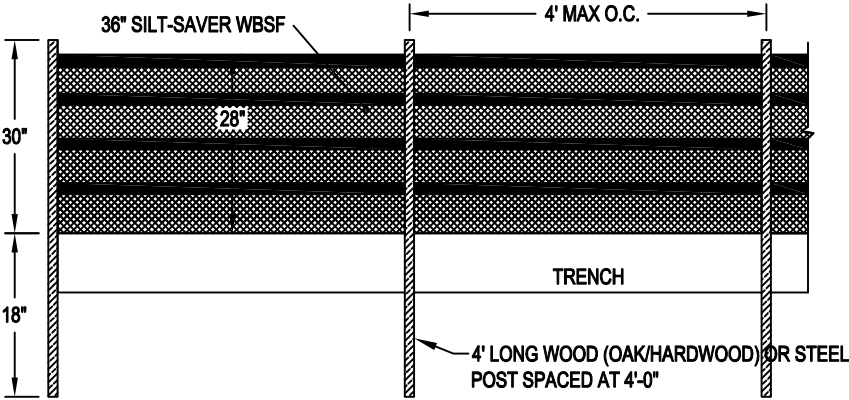


**SIDE VIEW**

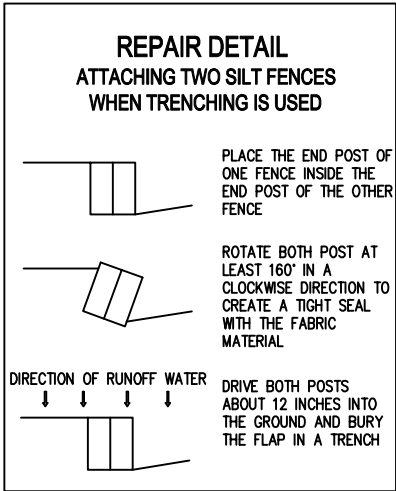


USE STEEL POSTS THAT ARE 1.15 MIN.  
USE WOVEN-IN BELTS AS ATTACHMENT POINTS  
FOR THE TIES.

USE OAK/HARDWOOD POST  
MINIMUM 1 3/4 x 1 1/4 x 48"



**FRONT ELEVATION**



**PLAN VIEW**

**HEAVY DUTY WOVEN BELTED  
WBSF  
WBSF2S-4 SILT FENCE  
2 STAGE**

FRAME MATERIAL: OAK/HARDWOOD OR STEEL
FILTER FABRIC MATERIAL: REFER TO SPEC
SCALE: NOT TO SCALE
LAST UPDATED: 04-27-20 G