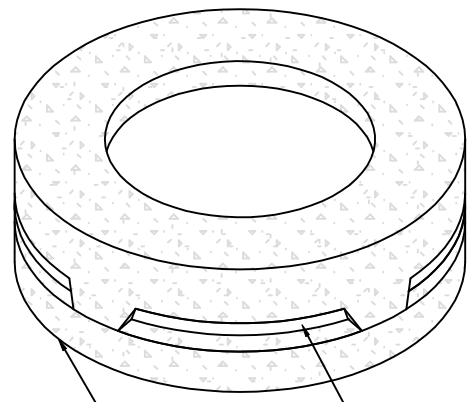
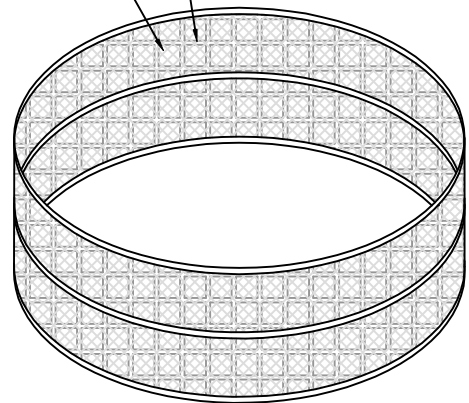
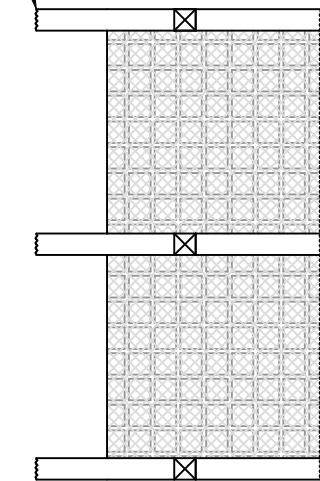
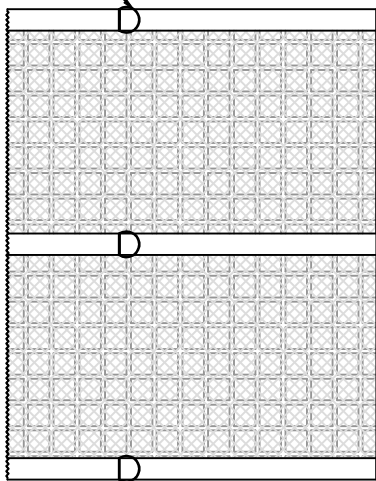


D-RING ATTACHMENT

STRAPS FOR D-RING ATTACHMENT

INTERNAL GRID FOR ADDED SUPPORT

HIGH FLOW GREEN MESH FOR VISIBILITY AND EFFICIENCY



**INSTALLATION**

ENSURE THE CEMENT RISER IS FREE OF ANY OBSTRUCTION THAT WOULD PREVENT A FLUSH INSTALLATION. WRAP THE PEDESTAL INLET PROTECTION (P-400) AROUND THE RISER. OVERLAP THE STRAP SIDE TO THE SIDE WITH THE D-RING ATTACHMENTS. PASS STRAPS THRU BOTH D-RING THEN OVER ONE RING THEN UNDER THE OTHER AND PULL TIGHT, ENSURE ALL OPENINGS ARE COVERED WITH P-400.

**MAINTENANCE**

ALL TEMPORARY EROSION, SEDIMENTATION, & POLLUTION CONTROL PRACTICES SHOULD BE INSPECTED DAILY. CONTRACTOR SHALL REMOVE SEDIMENT. INSPECT DAILY FOR CUTS, ABRASIONS, AND PROPER INSTALLATION. REPLACE OR REPOSITION AS NECESSARY.

**PART# P-400  
PEDESTAL INLET WRAP**

FABRIC MATERIAL: POLYPROPYLENE

SCALE: NOT TO SCALE

LAST UPDATED: 10-3-2022