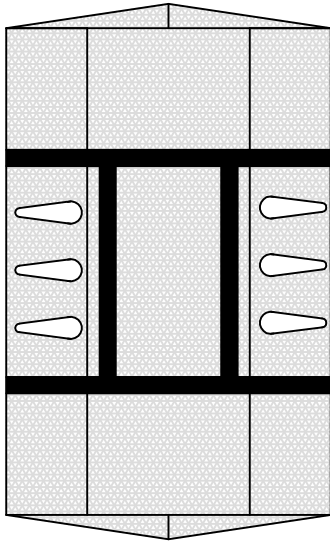
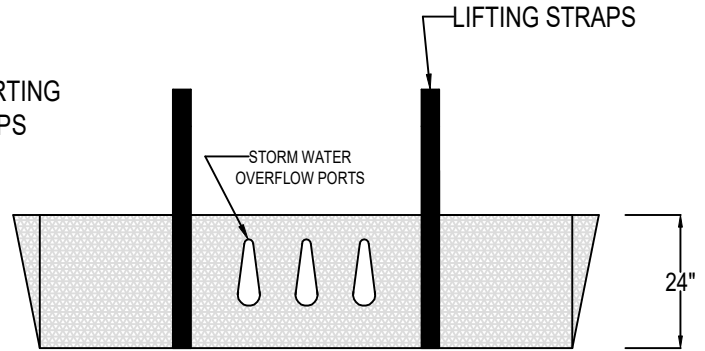




CITY BAG
DESIGNED FOR STREET TRASH /
FLOATABLE COLLECTION

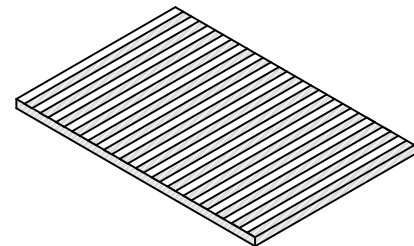


LOAD SUPPORTING
LIFTING STRAPS



SIDE VIEW

ELEVATION
VIEW



FILTER INSTALLATION

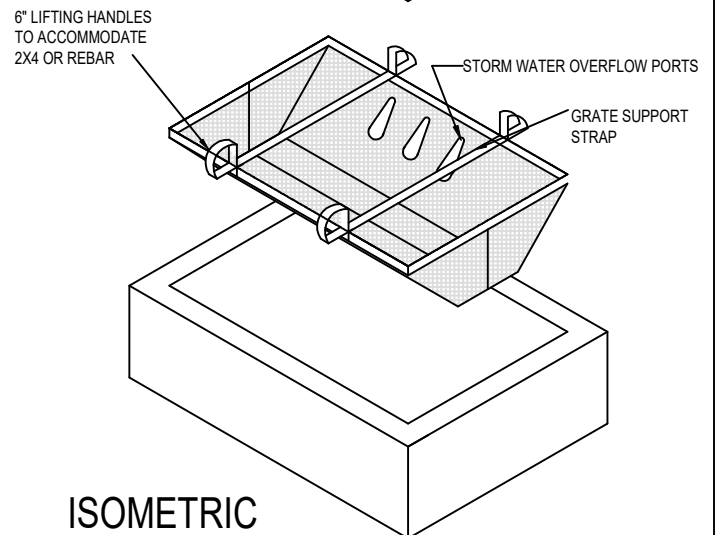
PLACE GRATE UPSIDE DOWN BESIDE OPENING. PLACE UNDER GRATE CITY BAG OVER GRATE, MAKE SURE CORNERS OF BAG ARE ALIGNED WITH CORNERS OF GRATE. FLIP GRATE OVER WHILE HOLDING BAG IN PLACE. PLACE 2X4, REBAR OR POLE IN PROVIDED HANDLES. LIFT AND SET GRATE INTO INLET OPENING. ENSURE SEATING IS CORRECT AND TUCK HANDLES INTO GRATE.

MAINTENANCE

ALL TEMPORARY EROSION + SEDIMENT CONTROL PRACTICES SHOULD BE INSPECTED DAILY. CONTRACTOR SHALL REMOVE TRASH AND DISPOSE OF IN A PROPER MANNER.

FABRIC

HIGHFLOW MESH, 9X9 SCRIM
CLEAR WATER FLOW OF >1100GPM/FT2



ISOMETRIC
VIEW

UNDER GRATE CITY BAG

AVAILABLE SIZES

18"X36" 21"X29" 24"X24" 24"X36" 24"X48" 27"X27" 28"X36" 36"X36" 36"X48" 40"X55"

MODEL# CB

ITEM ID: GRATE INLET PROTECTION

FABRIC MATERIAL: HIGHFLOW GEOTEXTILE FABRIC

SCALE: NOT TO SCALE

LAST UPDATED: FEBRUARY 2022