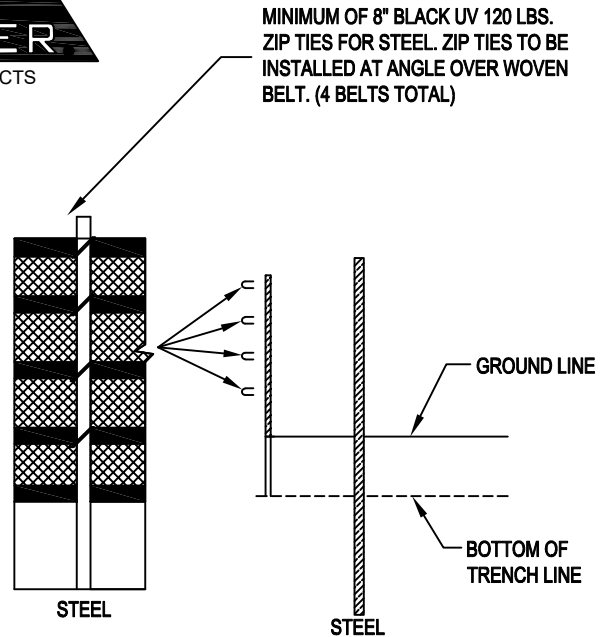
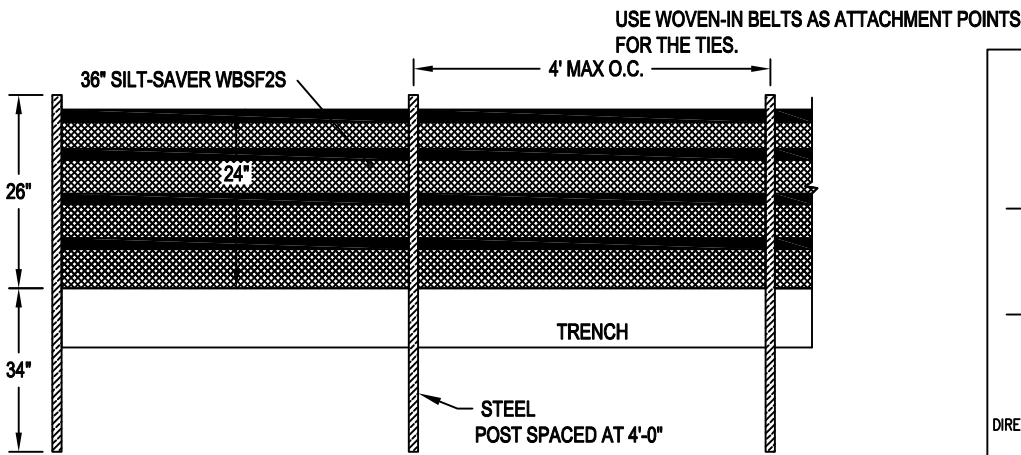


SIDE VIEW

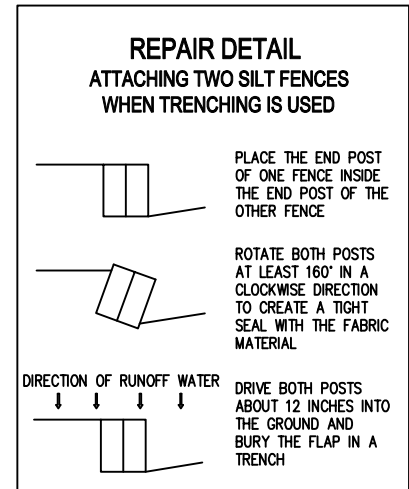


MINIMUM OF 8" BLACK UV 120 LBS. ZIP TIES FOR STEEL. ZIP TIES TO BE INSTALLED AT ANGLE OVER WOVEN BELT. (4 BELTS TOTAL)

USE 60" PAINTED PLEATED STEEL POST (1.25 LB/FT) WITH ANCHOR PLATES + ORANGE PROTECTOR CAPS
USE WOVEN-IN BELTS AS ATTACHMENT POINTS FOR THE TIES.



FRONT ELEVATION



PLAN VIEW

WOVEN BELTED SILT FENCE (WBSF)

2 STAGE (2S)

WBSF2S

TENNESSEE CONSTRUCTION DRAWING FOR EC-STR-3C

FRAME MATERIAL: STEEL

FILTER FABRIC MATERIAL: REFER TO SPEC

SCALE: NOT TO SCALE

LAST UPDATED: 09-22-2021