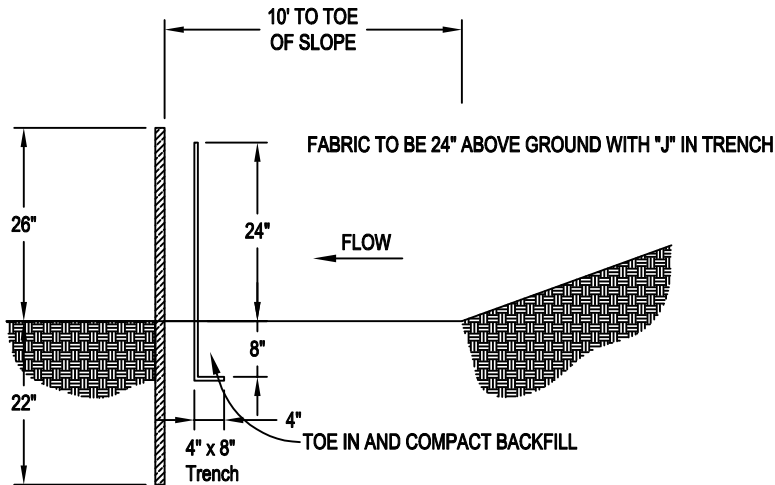
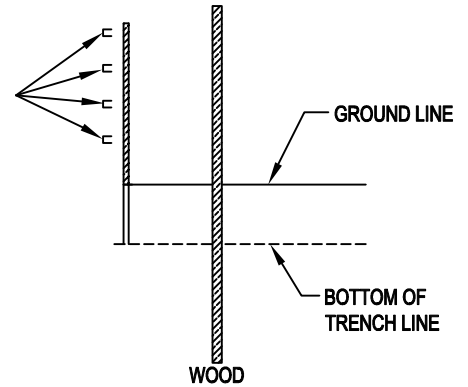




MINIMUM OF 8" BLACK UV 120 LBS. ZIP TIES FOR STEEL
1" X 1 1/4" STAPLES FOR WOOD
TO BE PLACED AT EACH SUPPORT BELT.



STEEL

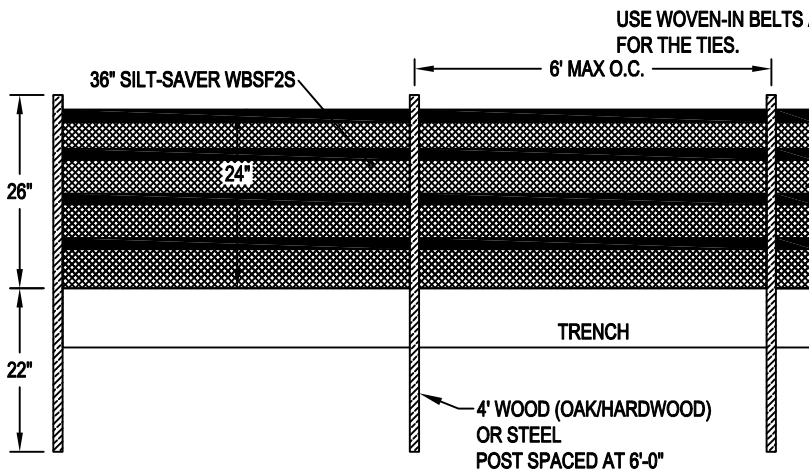


WOOD

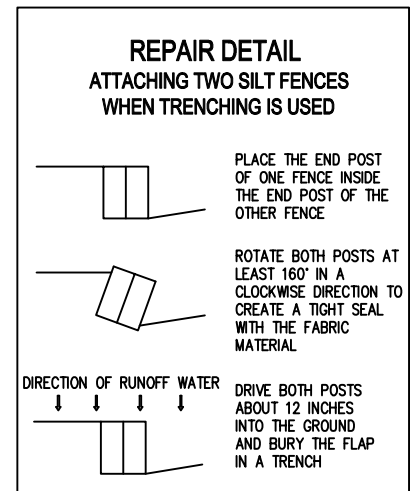
SIDE VIEW

USE STEEL POSTS THAT MEET STATE STANDARDS & SPECIFICATIONS FOR THE STATE THAT THE SILT FENCE WILL BE INSTALLED.

USE OAK/HARDWOOD POST 1 1/8 x 1 1/8 x 48" OR EQUAL DENSITY OR STATE STANDARDS, WHICH EVER IS GREATER.



FRONT ELEVATION



PLAN VIEW

WOVEN BELTED SILT FENCE (WBSF)
2 STAGE (2S)
WBSF2S-6

FRAME MATERIAL: OAK/HARDWOOD OR STEEL
FILTER FABRIC MATERIAL: REFER TO SPEC
SCALE: NOT TO SCALE
LAST UPDATED: MARCH 2022