

**\*\*\*Bonding strips and gray filter fabric facing storm water flow, posts on back side of sheet\*\*\***

## Step One

- Determine location based on plans or where water impounds. Lay Silt Fence Outlet 14 (SFO 14) in front of location.
- Ensure grey filter fabric is facing the incoming water flow. Posts should be on the back side of fabric.

## Step Two

- Single/multiple SFO 14 may be installed at the same time as silt fence or attached to each other using diagram #2 and #3 (see page 2). Drive stakes per step three.
- If silt fence is already installed. Cut opening in perimeter silt fence to appropriate length and install SFO14.
- **Note:** Additional stakes may be needed on perimeter silt fence to tie into SFO 14. Ensure secure connection.



## Step Three

- Start at an end and drive all stakes partially into the ground ensuring that the fabric is pulled tight.
- Once all stakes have been partially driven into ground, incrementally drive stakes into ground until bonding strips are level with ground. NOTE: If you drive each stake to depth individually, it may damage the bonding strips.



## Step Four

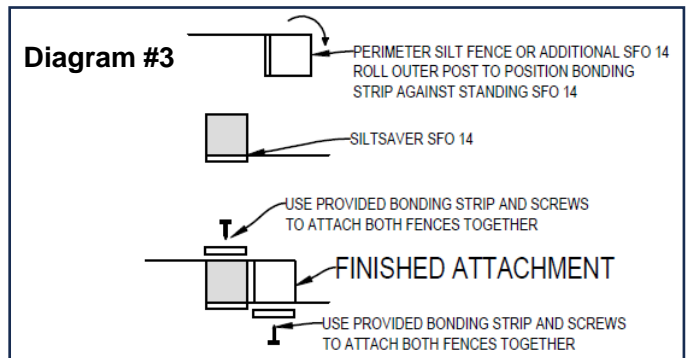
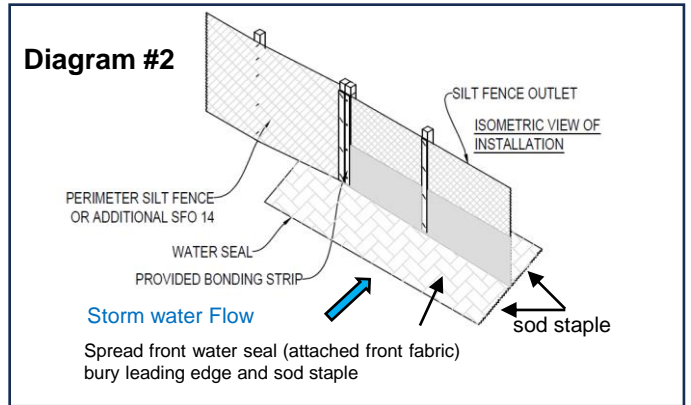
- Spread front water seal (attached front fabric) bury leading edge and sod staple . Spread and sod staple rear scour guard (attached back fabric)

Storm water Flow →



## Step Five

- Spin end post 90° (See diagram #3)
- Drive end post into ground attach to either a perimeter silt fence or another SFO-14 using the supplied bonding strips
- Repeat on other side.



## Step Six

- Starting at the center, place first “Compression Tube” (short wattle) against the vertical post. Place compression tubes end to end until you reach end of Silt Fence Outlet. Compression tubes should overlap perimeter silt fence.
- Drive 2 compression stakes (t-stake) into each compression tube 1 foot from each end of tube.

